
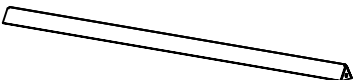
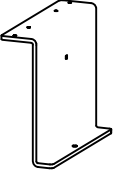
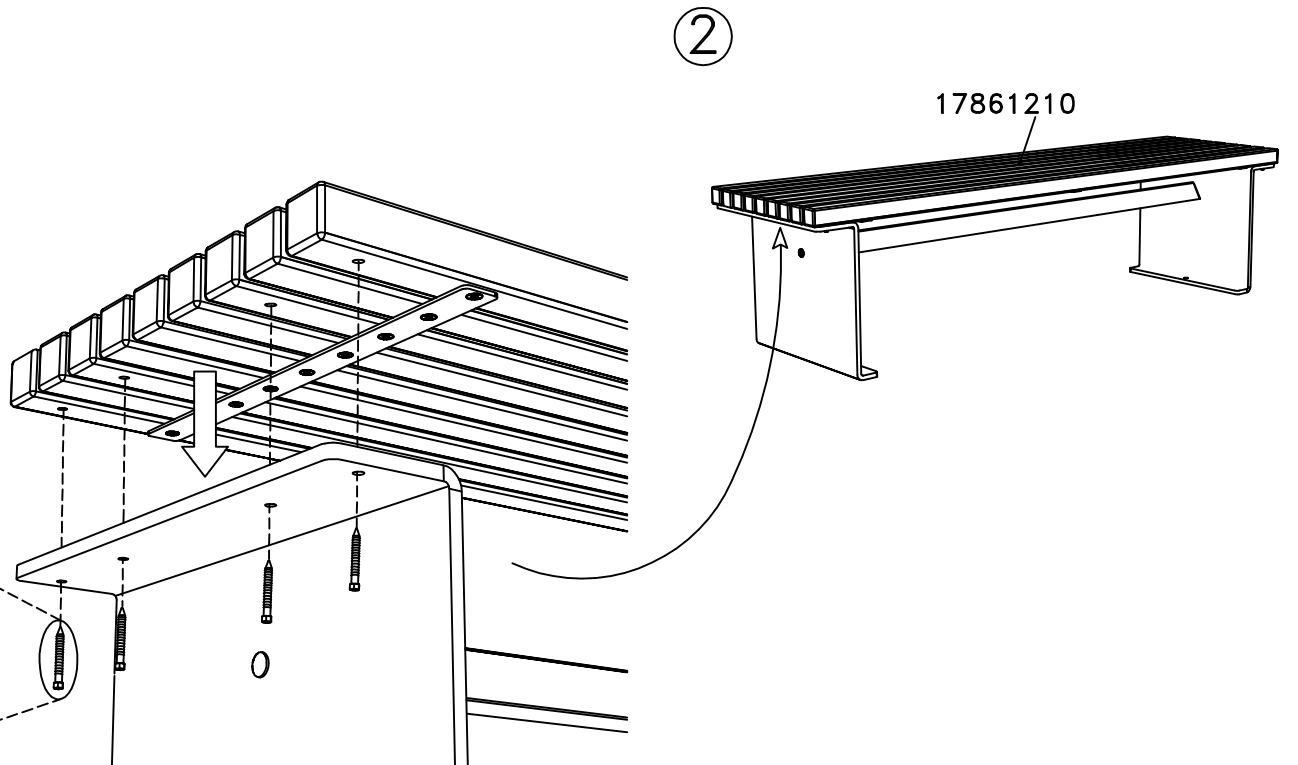
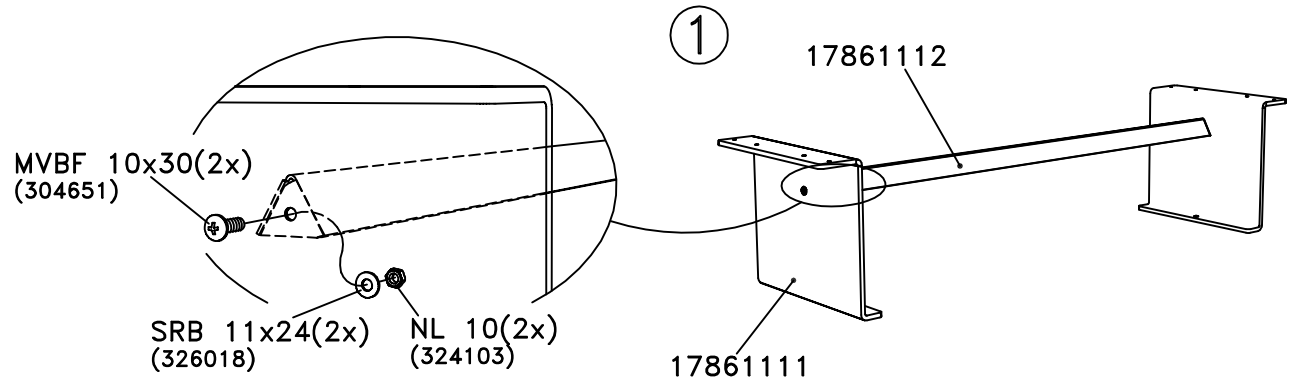
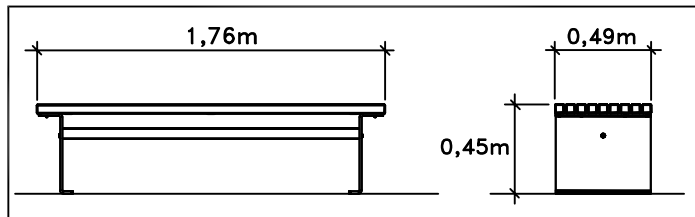


TYPE	HAGS.NO
 <p>0,48x1,76m</p>	17861210
 <p>L=1,50m</p>	17861112
	17861111 (2x)



**HAGS** ANEBY, SWEDEN  
+46(0)380-47300  
www.hags.com

178612

ACJ JOT 2006-04-26 0